



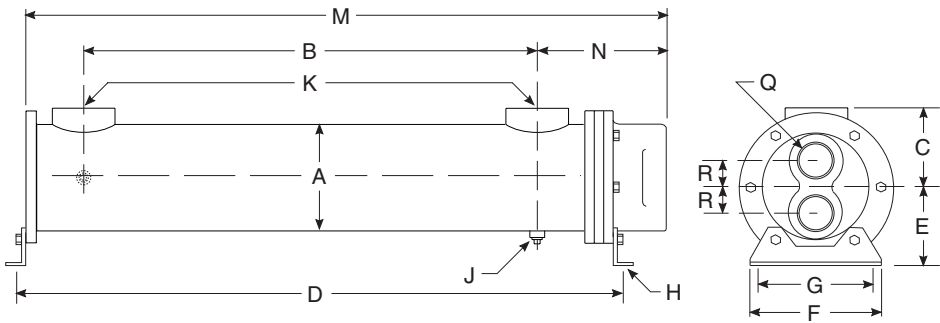
U-TUBE FIXED & REMOVEABLE BUNDLE

HEAT EXCHANGERS

For severe temperature differences between entering hot fluid and cold fluid to minimize thermal shock

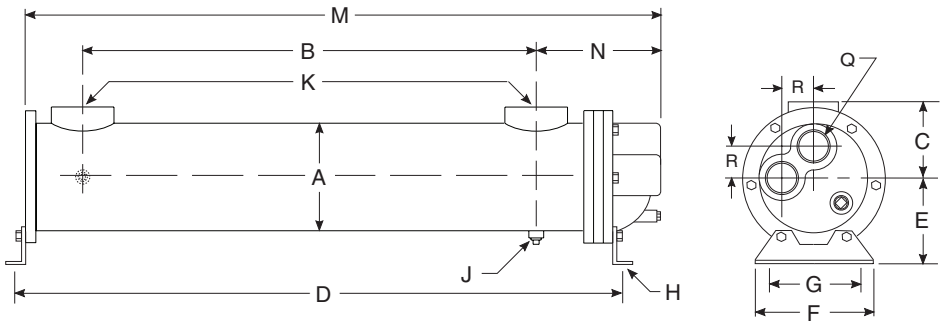
- Removable tube bundle.
- Operating pressure for tubes 150 PSI.
- Operating pressure for shell 250 PSI.
- Operating temperature 400 °F.
- Computer generated data sheet available for any application
- Can be customized to fit any applications.
- Option up to 600 °F

URCS Series *dimensions*



TWO PASS (TP)

Model	M	N	Q NPT	R
URCS-614	17.61			
URCS-624	27.61			
URCS-630	33.61	4.55	1.00	1.00
URCS-636	39.61			
URCS-712	16.63			
URCS-718	22.63			
URCS-724	28.63	5.66	1.00	.88
URCS-730	34.63			
URCS-736	40.63			
URCS-814	18.50			
URCS-824	28.50			
URCS-830	34.50	5.63	1.25	1.06
URCS-836	40.50			



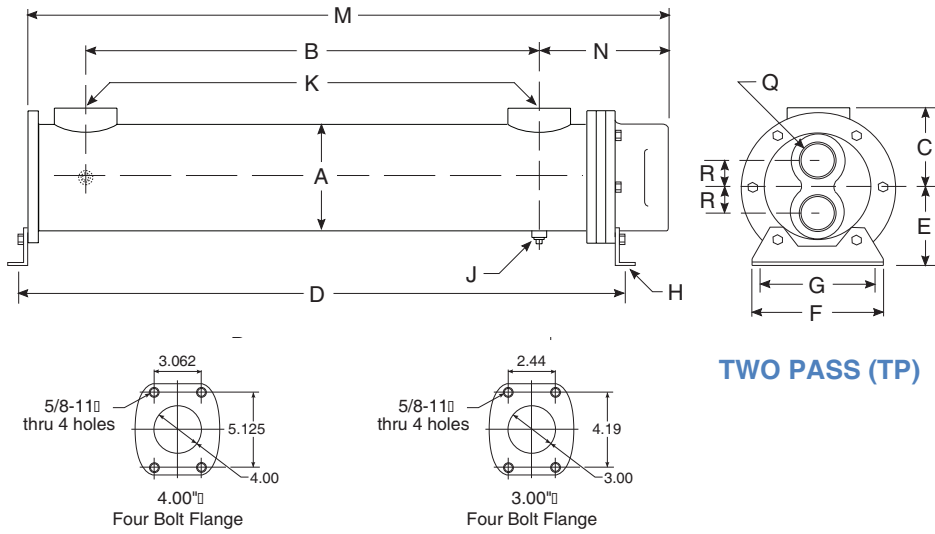
URCS-600, URCS-800

FOUR PASS (FP)

Model	M	N	Q NPT	R
URCS-614	17.59			
URCS-624	27.59			
URCS-630	33.59	4.49	.75	1.00
URCS-636	39.59			
URCS-712	16.60			
URCS-718	22.60			
URCS-724	28.60	5.63	.75	
URCS-730	34.60			
URCS-736	40.60			
URCS-814	18.50			
URCS-824	28.50			
URCS-830	34.50	5.62	.75	1.25
URCS-836	40.50			

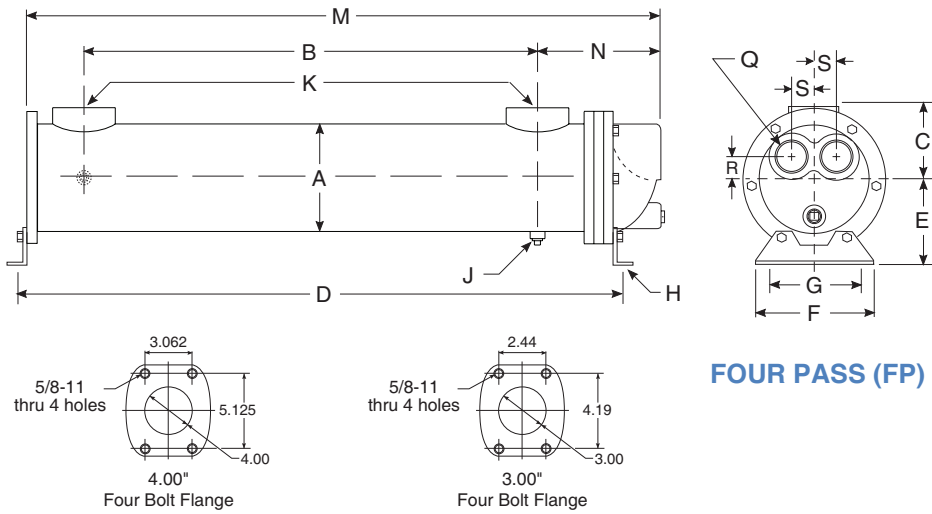
COMMON DIMENSIONS

Model	A	B	C	D	E	F	G	H	J NPT	K NPT	Weight	Model
URCS-614		10.0		18.19							17	URCS-614
URCS-624	3.25	20.0		28.19	2.75	4.18	1.62	.39 x 1.00 Thru Slot	.25 (2x)	1.00	24	URCS-624
URCS-630		26.0	2.63	34.19							30	URCS-630
URCS-636		32.0		40.19							36	URCS-636
URCS-712		7.0		16.81							18	URCS-712
URCS-718	3.75	13.0		22.81	3.62	5.25	1.50	.39 x 1.00 Thru Slot	.25 (2x)	1.50	20	URCS-718
URCS-724		19.0	2.88	28.81							22	URCS-724
URCS-730		25.0		34.81							24	URCS-730
URCS-736		31.0		40.81							26	URCS-736
URCS-814		9.0		19.15							32	URCS-814
URCS-824	4.25	19.0		29.15	3.50	4.25	1.75	.39 x 1.00 Thru Slot	.25 (2x)	1.50	41	URCS-824
URCS-830		25.0	3.12	35.15							47	URCS-830
URCS-836		31.0		41.15							53	URCS-836



TWO PASS (TP)

Model	M	N	Q NPT	R
URCS-1024	28.88			
URCS-1036	40.88	5.75	1.50	1.19
URCS-1048	52.88			
URCS-1224	29.17			
URCS-1236	41.17	6.16	2.00	1.44
URCS-1248	53.17			
URCS-1260	65.17			
URCS-1272	77.17			
URCS-1284	89.17			
URCS-1724	30.13			
URCS-1736	42.13	8.12	2.50	1.88
URCS-1748	54.13			
URCS-1760	66.13			
URCS-1772	78.13			
URCS-1784	90.13			
URCS-2036	43.91			
URCS-2048	55.91	10.78	3.00	2.50
URCS-2060	67.91			
URCS-2072	79.91			
URCS-2084	91.91			



FOUR PASS (FP)

Model	M	N	Q NPT	R	S
URCS-1024	29.21				
URCS-1036	41.21	6.08	1.00	.75	1.19
URCS-1048	53.21				
URCS-1224	29.58				
URCS-1236	41.58	6.57	1.50	1.06	1.44
URCS-1248	53.58				
URCS-1260	65.58				
URCS-1272	77.58				
URCS-1284	84.58				
URCS-1724	29.78				
URCS-1736	41.78	7.77	2.00	1.38	1.88
URCS-1748	53.78				
URCS-1760	65.78				
URCS-1772	77.78				
URCS-1784	89.78				
URCS-2036	44.00				
URCS-2048	56.00	10.78	2.50	1.75	2.50
URCS-2060	68.00				
URCS-2072	80.00				
URCS-2084	92.00				

COMMON DIMENSIONS

Model	A	B	C	D	E	F	G	H	J NPT	K NPT	K SAE	Weight	Model
URCS-1024		19.00		29.13							#24	55.00	URCS-1024
URCS-1036	5.25	31.00	3.69	41.13	4.00	5.25	4.00	.44 x 1.00 thru slot	.375	1.50	1.875-12	70.00	URCS-1036
URCS-1048		43.00		53.13							SAE O-Ring	85.00	URCS-1048
URCS-1224		18.25		29.59							#32	83.00	URCS-1224
URCS-1236		30.25		41.59							2.50-12	108.00	URCS-1236
URCS-1248	6.25	42.25	4.19	53.59	4.50	6.25	5.00	.44 x 1.00 thru slot	.375	2.00	SAE	132.00	URCS-1248
URCS-1260		54.25		65.59							O-Ring	158.00	URCS-1260
URCS-1272		66.25		77.59								182.00	URCS-1272
URCS-1284		78.25		89.59								206.00	URCS-1284
URCS-1724		17.00		29.50							3.0"	138.00	URCS-1724
URCS-1736		29.00		41.50							Four	180.00	URCS-1736
URCS-1748	8.00	41.00	5.06	53.50	5.75	8.25	7.00	.44 x 1.00 thru slot	.375	3.00	Bolt	219.00	URCS-1748
URCS-1760		53.00		65.50							Flange	258.00	URCS-1760
URCS-1772		65.00		77.50								300.00	URCS-1772
URCS-1784		77.00		89.50								342.00	URCS-1784
URCS-2036		28.50		42.63							4.0"	620.00	URCS-2036
URCS-2048	10.75	40.50	6.88	54.63	8.00	11.50	10.00	.781 x 1.25 thru slot	.50	4.00	Four	670.00	URCS-2048
URCS-2060		52.50		66.63							Bolt	730.00	URCS-2060
URCS-2072		64.50		78.63							Flange	820.00	URCS-2072
URCS-2084		76.50		90.63								870.00	URCS-2084