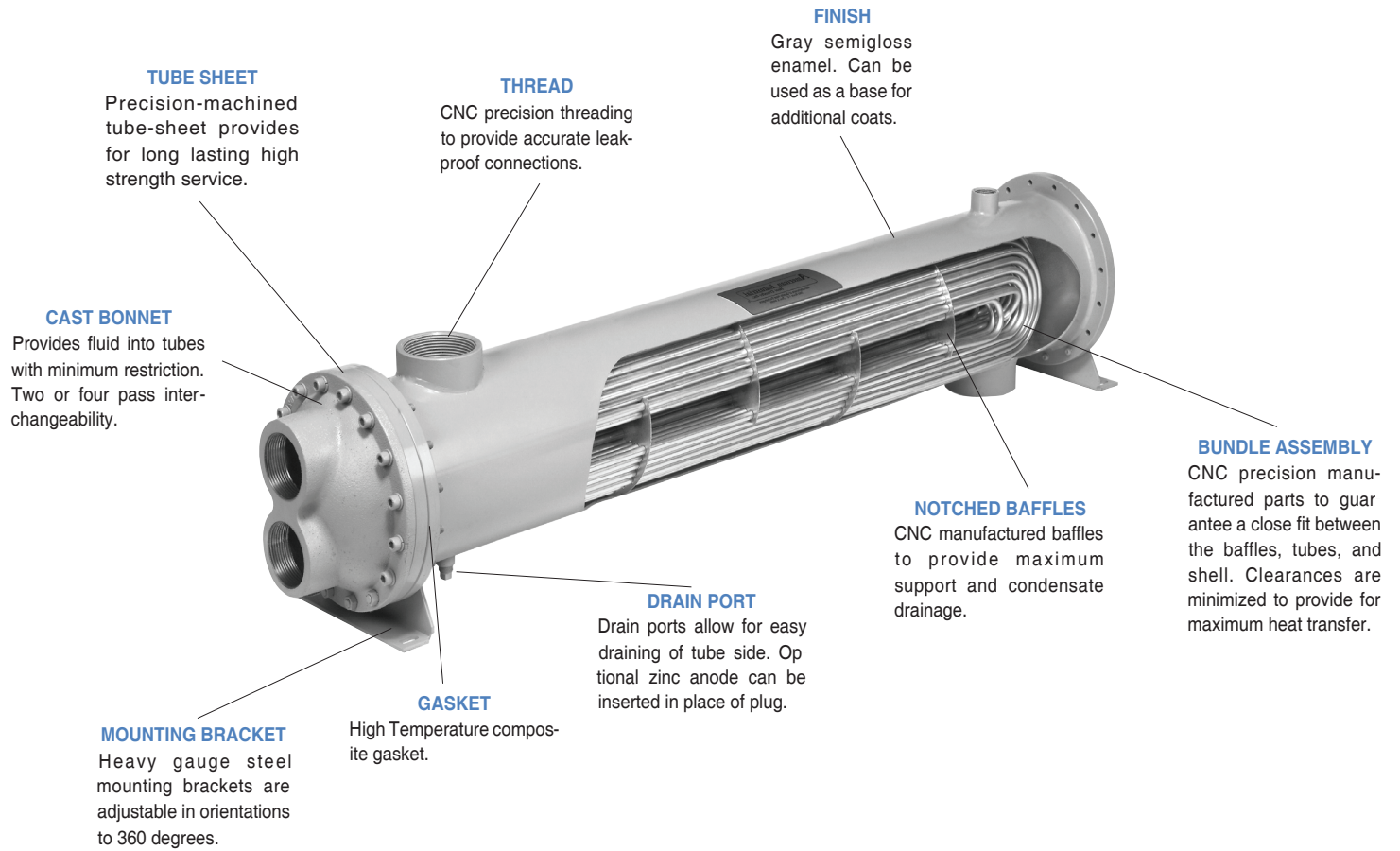


U-TUBE FIXED & REMOVEABLE BUNDLE

HEAT EXCHANGERS

For steam to liquid service

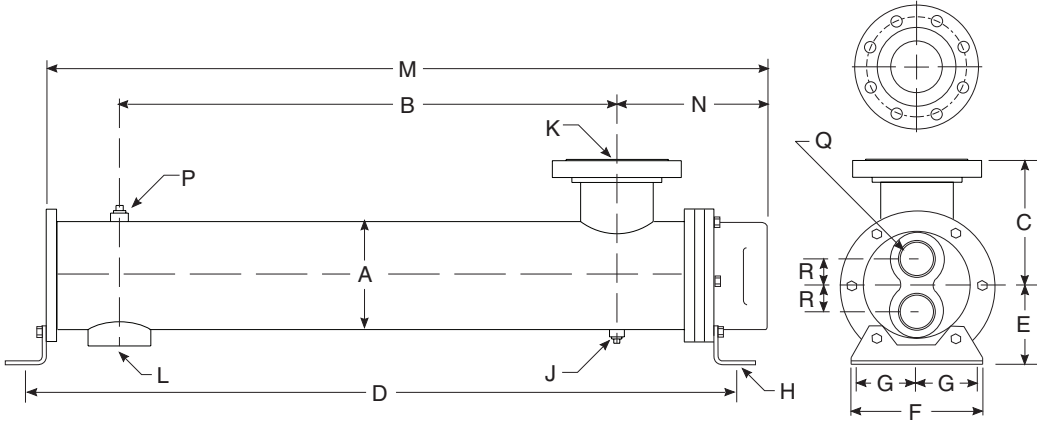
- Operating pressure for tubes 100 PSI.
- Operating pressure for shell 100 PSI.
- Operating temperature 400 °F.
- Can be customized to fit any application.
- Computer generated data sheet available for any application
- As an option, available in ASME Code and Certified



STANDARD CONSTRUCTION MATERIALS & RATINGS

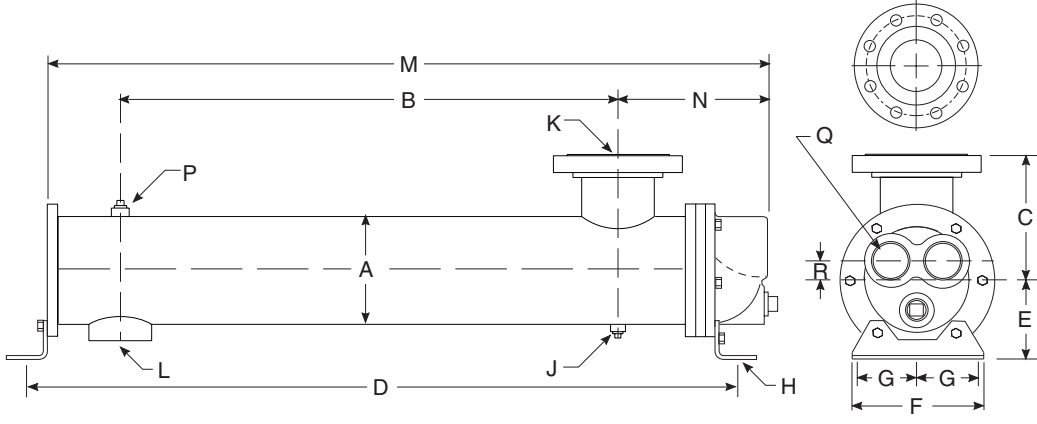
Standard Model	URCF	Options	Standard Unit Ratings
Shell	Steel	Stainless Steel	Operating Pressure Tubes 100 psig Operating Pressure Shell 100 psig Operating Temperature 400 °F
Tubes	Copper	90/10 Cu. Ni. / Stainless Steel	
Baffles	Aluminum / Brass	Stainless Steel	
Tube Sheet	Steel	Brass / Stainless Steel	
End Bonnets	Cast Iron	Stainless Steel	
Mounting Brackets	Steel	Stainless Steel	
Gasket	High Temperature Gasket	Viton	

REMOVABLE TUBE BUNDLE (U-TUBE DESIGN)



TWO PASS (TP)

Model	M	N	Q NPT	R
URCF-1024	28.88			
URCF-1036	40.88	6.43	1.50	1.19
URCF-1048	52.88			
URCF-1224	29.17			
URCF-1236	41.17	7.23	2.00	1.44
URCF-1248	53.17			
URCF-1260	65.17			
URCF-1272	77.17			
URCF-1284	89.17			
URCF-1724	30.13			
URCF-1736	42.13	8.64	2.50	1.88
URCF-1748	54.13			
URCF-1760	66.13			
URCF-1772	78.13			
URCF-1784	90.13			
URCF-2036	43.91			
URCF-2048	55.91	11.07	3.00	2.50
URCF-2060	67.91			
URCF-2072	79.91			
URCF-2084	91.91			



FOUR PASS (FP)

Model	M	N	Q NPT	R	S
URCF-1024	29.21				
URCF-1036	41.21	6.77	1.00	.75	1.19
URCF-1048	53.21				
URCF-1224	29.58				
URCF-1236	41.58	7.64	1.50	1.06	1.44
URCF-1248	53.58				
URCF-1260	65.58				
URCF-1272	77.58				
URCF-1284	84.58				
URCF-1724	29.78				
URCF-1736	41.78	8.29	2.00	1.38	1.88
URCF-1748	53.78				
URCF-1760	65.78				
URCF-1772	77.78				
URCF-1784	89.78				
URCF-2036	44.00				
URCF-2048	56.00	11.16	2.50	1.75	2.50
URCF-2060	68.00				
URCF-2072	80.00				
URCF-2084	92.00				

COMMON DIMENSIONS

Model	A	B	C	D	E	F	G	H	J NPT	K ANSI Flange	L NPT	P NPT	Weight	Model
URCF-1024		19.75		29.13									55.00	URCF-1024
URCF-1036	5.25	31.75	7.63	41.13	4.00	5.25	2.00	.44 x 1.00 thru slot	.375	3.00	1.50	.75	70.00	URCF-1036
URCF-1048		43.75		53.13									85.00	URCF-1048
URCF-1224		19.00		29.59									83.00	URCF-1224
URCF-1236		31.00		41.59									108.00	URCF-1236
URCF-1248	6.25	43.00	8.13	53.59	4.50	6.25	2.50	.44 x 1.00 thru slot	.375	4.00	2.00	.75	132.00	URCF-1248
URCF-1260		55.00		65.59									158.00	URCF-1260
URCF-1272		67.00		77.59									182.00	URCF-1272
URCF-1284		79.00		89.59									206.00	URCF-1284
URCF-1724		18.25		29.50									138.00	URCF-1724
URCF-1736		30.25		41.50									180.00	URCF-1736
URCF-1748	8.00	42.25	9.00	53.50	5.75	8.25	3.50	.44 x 1.00 thru slot	.375	5.00	2.00	1.00	219.00	URCF-1748
URCF-1760		54.25		65.50									258.00	URCF-1760
URCF-1772		66.25		77.50									300.00	URCF-1772
URCF-1784		78.25		89.50									342.00	URCF-1784
URCF-2036		29.00		42.63									620.00	URCF-2036
URCF-2048		41.00		54.63									670.00	URCF-2048
URCF-2060	10.75	53.00	10.38	66.63	8.00	11.50	5.00	.781 x 1.25 thru slot	.50	6.00	3.00	1.25	730.00	URCF-2060
URCF-2072		65.00		78.63									820.00	URCF-2072
URCF-2084		76.00		90.63									870.00	URCF-2084