



**SINGLE
PASS**

**TWO
PASS**

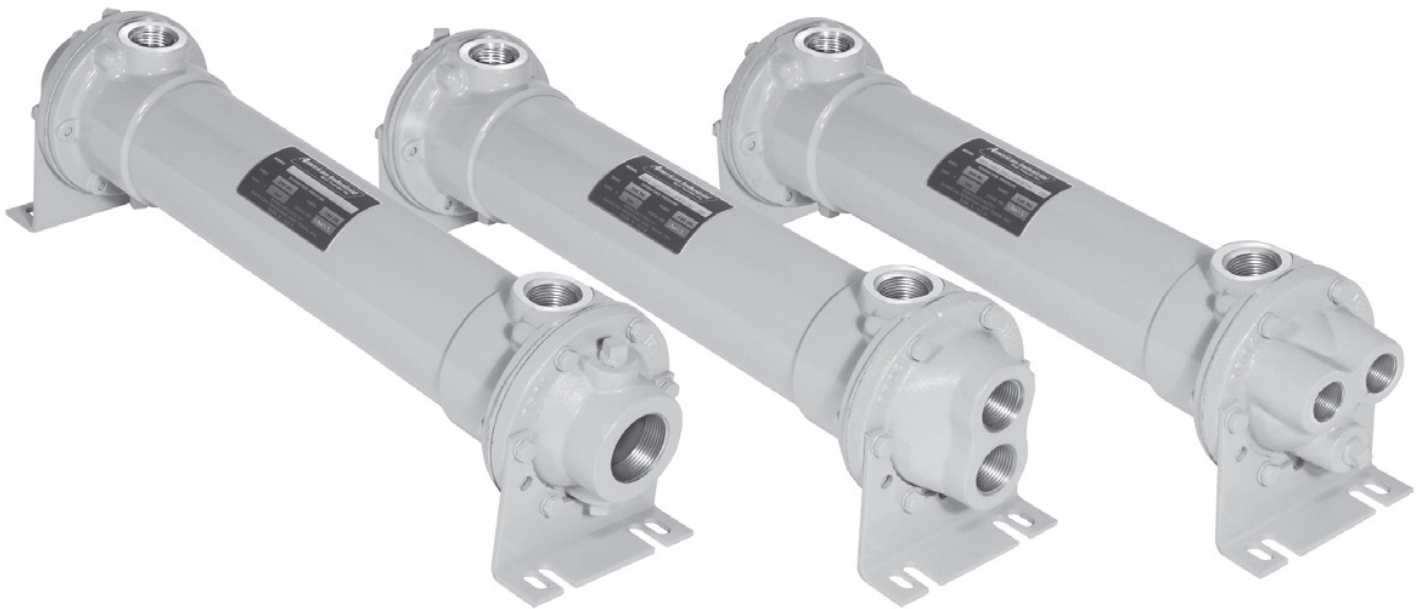
**FOUR
PASS**

Fixed Tube Bundle / Liquid Cooled

HEAT EXCHANGERS

1 (888) 226-8522

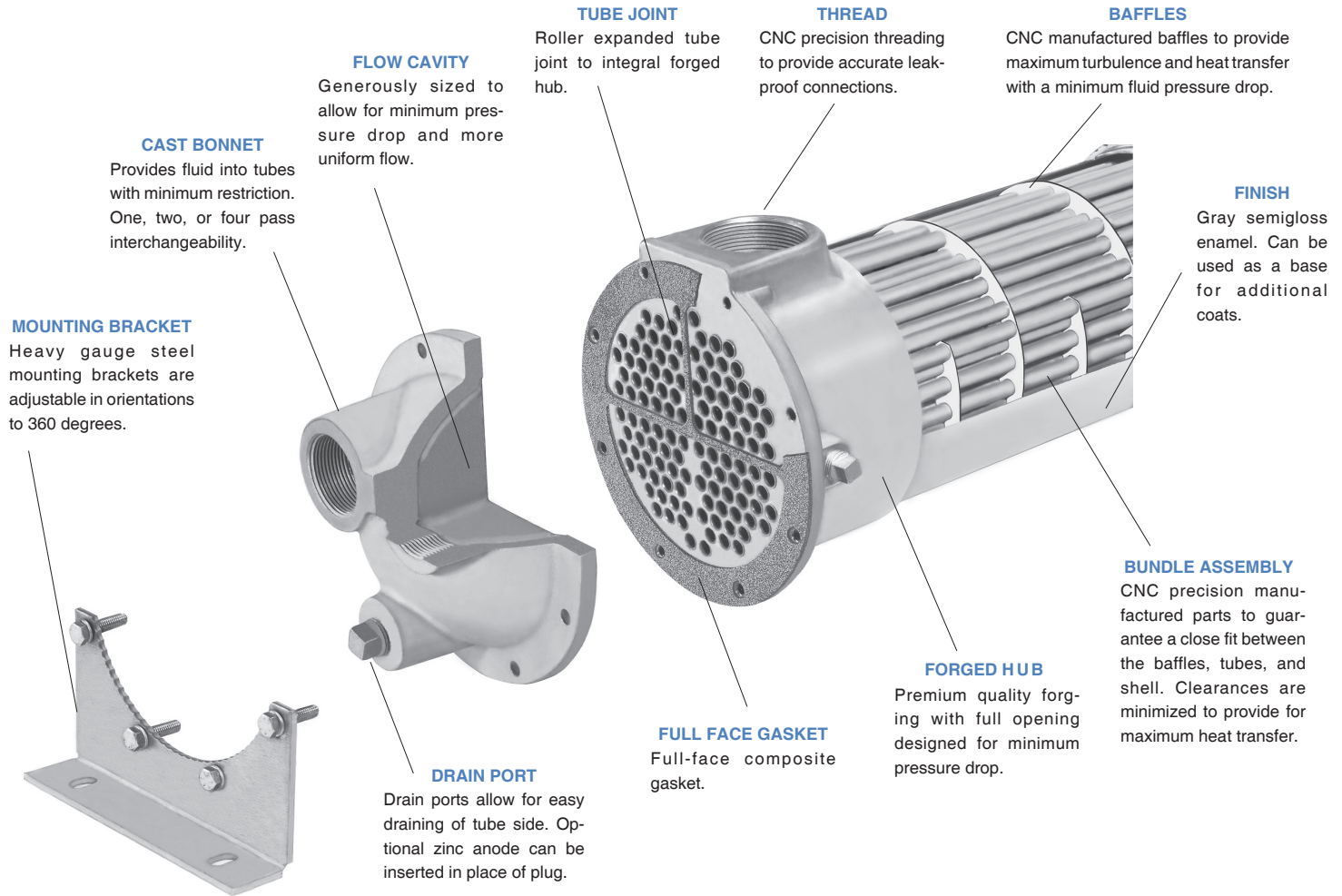
www.SouthwestThermal.com



SAE Series

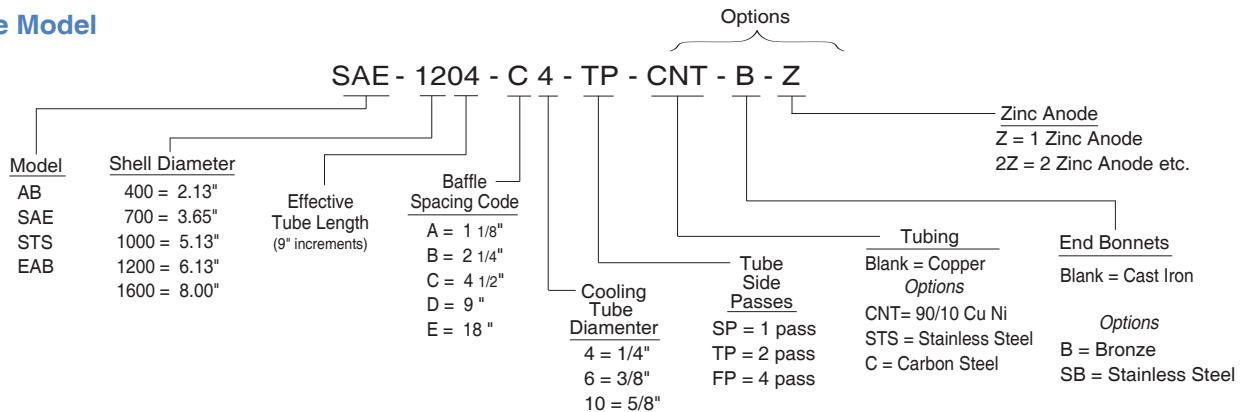
Similar to AB series with the exception of the shell ports. SAE series from 2" through 6" diameter has SAE O-ring straight thread shell port connections. Size 8" diameter has SAE code 61 four bolt flange shell port connections.

- Computer generated data sheet available for any application
- Operating pressure for tubes 150 PSI.
- Operating pressure for shell 300 PSI.
- Operating temperature 300 °F.
- Can be customized to fit any applications.
- Cools: Fluid power systems, rock crushers, presses, shears, lubrication equipment for paper machinery, gear drives, marine transmissions, etc.



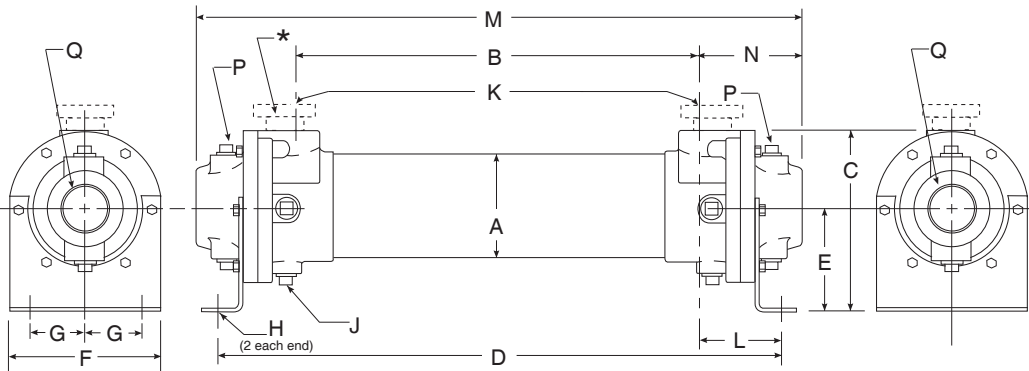
UNIT CODING

Example Model



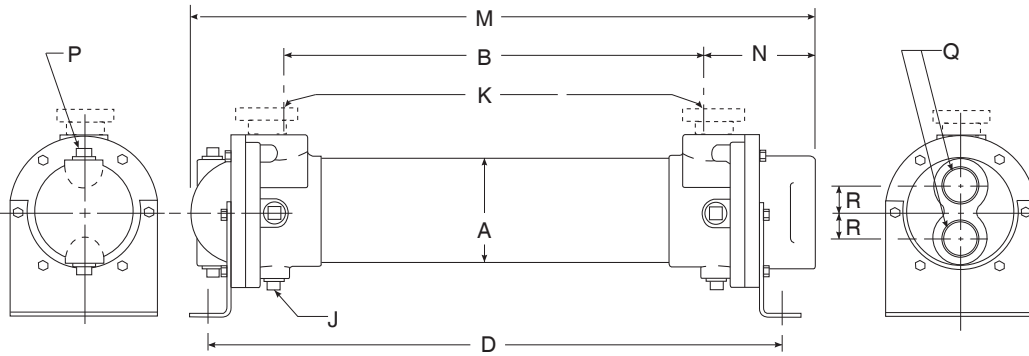
STANDARD CONSTRUCTION MATERIALS & RATINGS

Standard Model	AB Series	SAE Series	STS Series	EAB Series	Standard Unit Ratings
Shell	Brass	Brass	316 Stainless Steel	Steel	Operating Pressure Tubes.....150 psig
Tubes	Copper	Copper	316 Stainless Steel	90/10 Copper Nickel	
Baffle	Aluminum / Brass	Brass	316 Stainless Steel	Brass	
Integral End Hub	Forged Brass	Forged Brass	316 Stainless Steel	Forged Brass	Operating Pressure Shell.....300 psig
End Bonnets	Cast Iron	Cast Iron	316 Stainless Steel	Cast Iron	
Mounting Brackets	Steel	Steel	Steel	Steel	Operating Temperature 300 °F
Gasket	Hypalon Composite	Hypalon Composite	Hypalon Composite	High Temp Gasket	
Expansion Bellows	-	-	-	Stainless Steel	



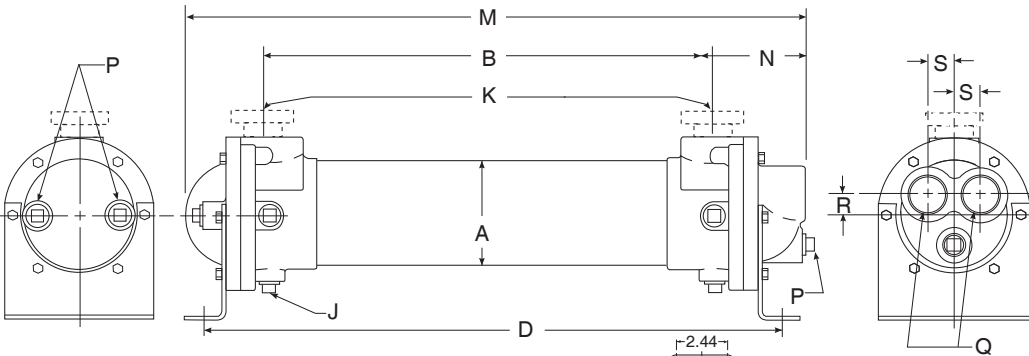
SINGLE PASS (SP)

Model	M	N	P NPT	Q NPT			
SAE-401	11.24	1.81	-	1.00			
SAE-402	20.24						
SAE-701	13.47						
SAE-702	22.47						
SAE-703	31.47	3.24	(4) .38	1.50			
SAE-704	40.47						
SAE-1002	23.60						
SAE-1003	32.60						
SAE-1004	41.60	4.05	(4) .38	2.00			
SAE-1202	24.38						
SAE-1203	33.25						
SAE-1204	42.12						
SAE-1205	51.12						
SAE-1206	60.25						
SAE-1207	69.25						
SAE-1208	78.12						
SAE-1209	87.12						
SAE-1210	96.12						
SAE-1602	26.62				6.52	(4) .50	4.00
SAE-1603	35.62						
SAE-1604	44.62						
SAE-1605	53.62						
SAE-1606	62.62						
SAE-1607	71.62						
SAE-1608	80.62						
SAE-1609	89.62						
SAE-1610	98.62						



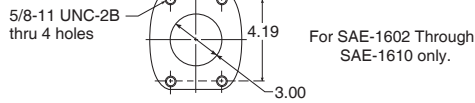
TWO PASS (TP)

Model	M	N	P NPT	Q NPT	R
SAE-701	13.28	3.30	(2) .38	1.00	.88
SAE-702	22.28				
SAE-703	31.28				
SAE-704	40.28				
SAE-1002	23.29	3.80	(2) .38	1.50	1.19
SAE-1003	32.29				
SAE-1004	41.29				
SAE-1202	23.94				
SAE-1203	32.81				
SAE-1204	41.69				
SAE-1205	50.69				
SAE-1206	59.81				
SAE-1207	68.81				
SAE-1208	77.69				
SAE-1209	86.69				
SAE-1210	95.69				
SAE-1602	25.10	6.08	(2) .50	2.50	1.88
SAE-1603	34.10				
SAE-1604	43.10				
SAE-1605	52.10				
SAE-1606	61.10				
SAE-1607	70.10				
SAE-1608	79.10				
SAE-1609	88.10				
SAE-1610	97.10				



FOUR PASS (FP)

Model	M	N	P NPT	Q NPT	R	S
SAE-701	13.42	3.24	(3) .38	.75	.62	.88
SAE-702	22.42					
SAE-703	31.42					
SAE-704	40.42					
SAE-1002	23.55	4.06	(3) .38	1.00	.75	1.19
SAE-1003	32.55					
SAE-1004	41.55					
SAE-1202	24.44					
SAE-1203	33.31					
SAE-1204	42.19					
SAE-1205	51.19					
SAE-1206	60.31					
SAE-1207	69.31					
SAE-1208	78.19					
SAE-1209	87.19					
SAE-1210	96.19					
SAE-1602	26.72	6.48	(3) .50	2.00	1.38	1.88
SAE-1603	35.72					
SAE-1604	44.72					
SAE-1605	53.72					
SAE-1606	62.72					
SAE-1607	71.72					
SAE-1608	80.72					
SAE-1609	89.72					
SAE-1610	98.72					



COMMON DIMENSIONS & WEIGHTS

Model	A	B	C	D	E	F	G	H	J NPT	K SAE	L	Approx. Weight	Model
SAE-401	2.13	7.62	3.50	10.91	1.94	2.62	.88	.41φ	-	#8	1.72	7	SAE-401
SAE-402		16.62		20.91								10	SAE-402
SAE-701	3.66	7.00	6.25	12.38	3.62	5.25	1.50	.44φ x 1.00	(2) .38	#16	2.69	23	SAE-701
SAE-702		16.00		21.38								29	SAE-702
SAE-703		25.00		30.38								33	SAE-703
SAE-704		34.00		39.38								49	SAE-704
SAE-1002	5.13	15.50	7.38	21.62	4.00	6.75	2.00	.44φ x 1.00	(6) .38	#24	3.06	54	SAE-1002
SAE-1003		24.50		30.62								76	SAE-1003
SAE-1004		33.50		39.62								82	SAE-1004
SAE-1202		14.62		21.50								79	SAE-1202
SAE-1203		23.50		30.38								98	SAE-1203
SAE-1204		32.38		39.25								115	SAE-1204
SAE-1205		41.38		48.25								130	SAE-1205
SAE-1206		50.50		57.38								150	SAE-1206
SAE-1207		59.50		66.38								170	SAE-1207
SAE-1208		68.38		75.25								190	SAE-1208
SAE-1209		77.38		84.25								210	SAE-1209
SAE-1210		86.38		93.25								230	SAE-1210
SAE-1602	8.00	13.60	12.13	22.38	6.50	10.00	3.50	.44φ x 1.00	(6) .38	3.0" Four bolt Flange	4.39	145	SAE-1602
SAE-1603		22.60		31.38								170	SAE-1603
SAE-1604		31.60		40.38								200	SAE-1604
SAE-1605		40.60		49.38								225	SAE-1605
SAE-1606		49.60		58.38								250	SAE-1606
SAE-1607		58.60		67.38								275	SAE-1607
SAE-1608		67.60		76.38								315	SAE-1608
SAE-1609		76.60		85.38								350	SAE-1609
SAE-1610		85.60		94.38								390	SAE-1610